

## Technical Data Sheet

### Original Hanau SunCare Ignitors

#### Ignitor 4/400

**Article No.:** 80006872

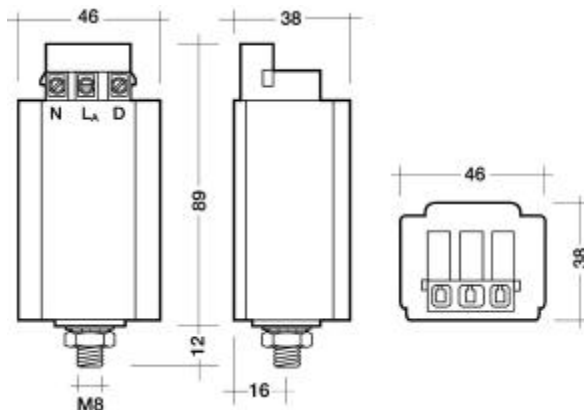
**Electrical data:**

Nominal wattage of UV-Lamps:	35-400 W
Max. permissible lamp current:	4,6 A
Ignition voltage:	4,0-5,0 kVs
Line voltage:	230 V, +15% / -14%
Mains frequency:	50 / 60 Hz

**Operating data:**

Temperature rise:	27,0 K (I <sub>b</sub> =4,6A; 400W)
Intrinsic losses:	2,5 W (I <sub>b</sub> =4,6A; 400W)
Max. distance from lamp:	1,5 m
Max. permissible housing temperature t <sub>c</sub> :	105 °C
Min. permissible ambient temperature t <sub>a</sub> :	-30 °C
Weight:	0,13 kg
Tightening torque for terminals:	Max. 0,7 Nm
Tightening torque for bolts:	Mind. 6 Nm

**Geometric Data:**



**Approval symbol:**



The given figures represent typical data based on average values achieved under standardized conditions in the laboratory. For physical/technical reasons operating values are subject to piece to piece variation.

**Heraeus Noblelight GmbH**  
 Original Hanau SunCare  
 Heraeusstraße 12-14  
 D – 63450 Hanau  
 Tel.: +49 6181 / 35-5092  
 Fax: +49 6181 / 35-5096  
 E-Mail: [suncare@heraeus.com](mailto:suncare@heraeus.com)  
[www.original-hanau-suncare.com](http://www.original-hanau-suncare.com)

